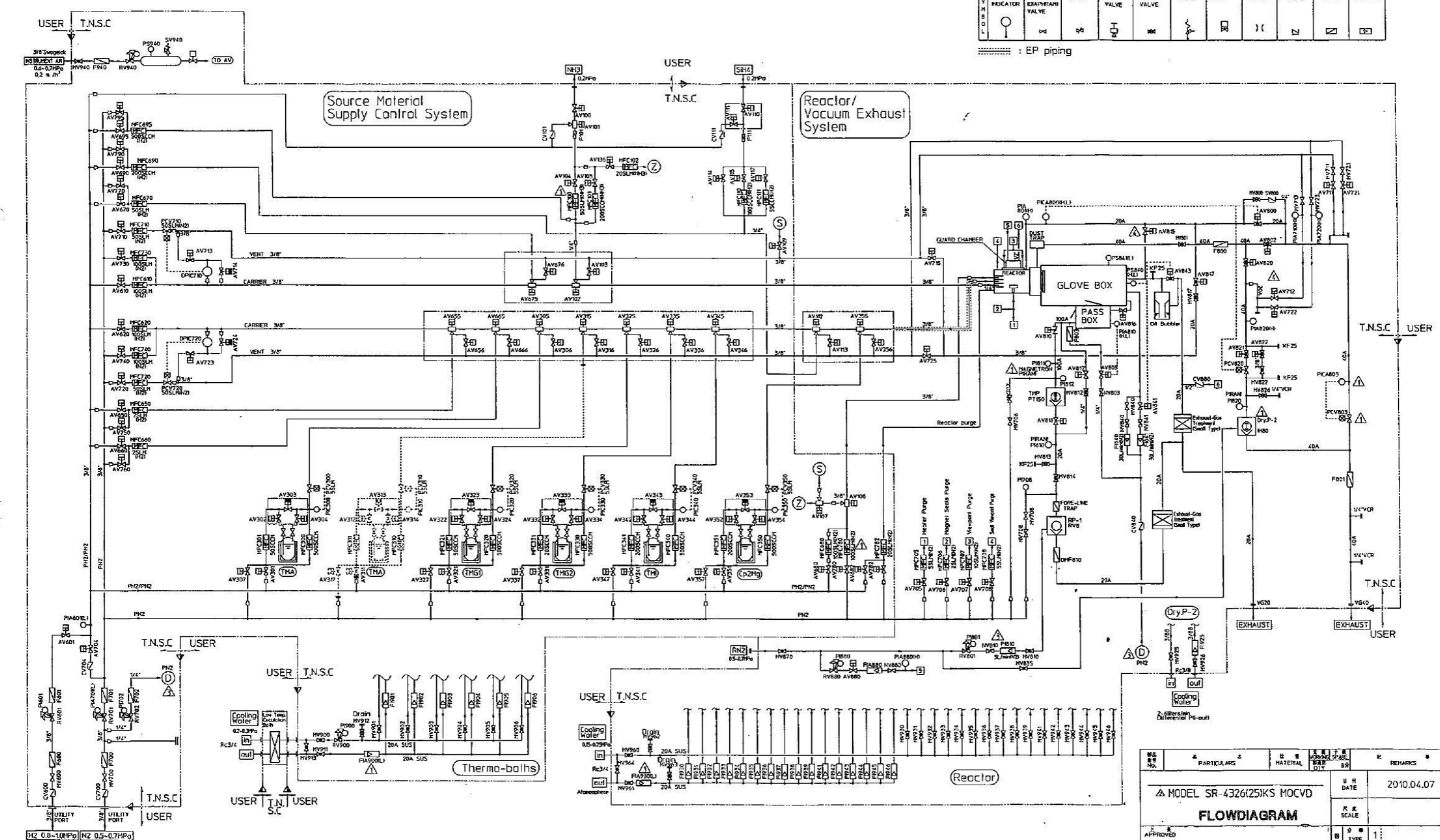


△Name of P1811 was corrected.
 Symbol of FIA900(L) and FIA930(L) were corrected.
 Addition of PIC803 and PCV803 2010.4.27 Yamaoka
 △Model No. was corrected. 2010.7.14 YAMAOKA
 △The position of P1810 and NV810 was corrected.
 AV815 was corrected. 2010.8.25 Yamaoka
 △AV711 and AV721 was corrected.
 AV815 was corrected. 2010.9.6 YAMAOKA

PREPNEUMATIC EMERGENCY AUTO STOP VALVE	PREPNEUMATIC OPERATE 2WAY VALVE	PREPNEUMATIC OPERATE 3WAY VALVE	PREPNEUMATIC OPERATE 3WAY VALVE	PREPNEUMATIC OPERATE 3WAY VALVE	BUTTERFLY VALVE	PRESSURE CONTROL VALVE	TURBO MOLECULAR PUMP	ROTARY VACUUM PUMP	DRY PUMP	PRESSURE REGULATION	PASSFLOW CONTROLLER
SENSOR OR INDICATOR	MANUAL BELLOWS INDICATOR VALVE	NEEDLE VALVE	MANUAL 3WAY VALVE	MANUAL BALL VALVE	SAFETY VALVE	SOLENOID VALVE	DRY PUMP	CHECK VALVE	LINE FILTER	FLOW INDICATOR	

..... : EP piping



NO.	PARTICULARS	MATERIAL	DATE	REMARKS
1	MODEL SR-4326(25)KS MOCVD		2010.04.07	
FLOWDIAGRAM				
APPROVED				TYPE 1
大陽日酸株式会社 TAIYO NIPPON SANSO Corporation				DRG. NO.
				REV.